

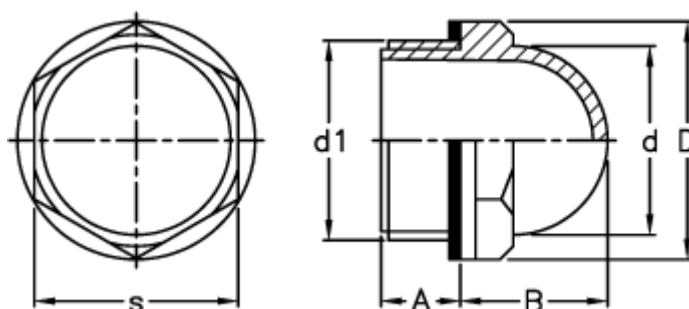
# Data Sheet



Article number: 2311010901

Description: E+G Oil circulation sight  
HCFE.15-1/2

## Measures



A	= 10.5
B	= 16.0
d	= 19
D	= 26.0
d1	= G 1/2
s	= 22.0
Tightening torque N m = 4 to 6	